



## Main Features:-

- ◆ Screwed BSPP
- ◆ Metal to Metal Seat or NBR
- ◆ Rated PN16 3/8 to 3", PN10 4"
- ◆ Temperature -10°C to 100°C Metal Seat
- ◆ Temperature -10°C to 95°C NBR Seat

\*Temperature and pressure determined by valve body, seat etc.

## Suitable Applications & Approvals:



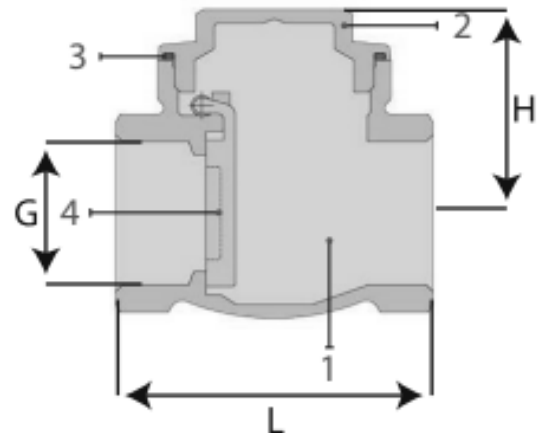
INDUSTRY

## SERIES: 30009

MANUFACTURER:



| No | Name   | Materials                   |
|----|--------|-----------------------------|
| 1  | Body   | Brass                       |
| 2  | Plug   | Brass                       |
| 3  | O'Ring | NBR                         |
| 4  | Swing  | Brass                       |
| 5  | Seat   | Metal (NBR Available 30010) |



VALVE DIMENSIONS

| G      | H  | L   | Kg   |
|--------|----|-----|------|
| 3/8"   | 32 | 47  | 0.17 |
| 1/2"   | 32 | 47  | 0.15 |
| 3/4"   | 35 | 54  | 0.21 |
| 1"     | 39 | 64  | 0.33 |
| 1 1/4" | 47 | 75  | 0.49 |
| 1 1/2" | 51 | 83  | 0.65 |
| 2"     | 59 | 98  | 1    |
| 2 1/2" | 67 | 116 | 1.56 |
| 3"     | 77 | 135 | 2.24 |
| 4"     | 92 | 164 | 3.8  |

## ALL VALVES ONLINE

Offering a full range of actuated valve packages, manual valve range, pipe fittings and pumps, we have a product for all your requirements. As an ISO 9001-2015 Quality Approved and certified company, All Valves offer a quality service from pre-sale to post sale.



T +44 (0)1386 552369

E sales@allvalves.co.uk

W www.allvalves.co.uk

F +44 (0)1386 554227



# Check Valves

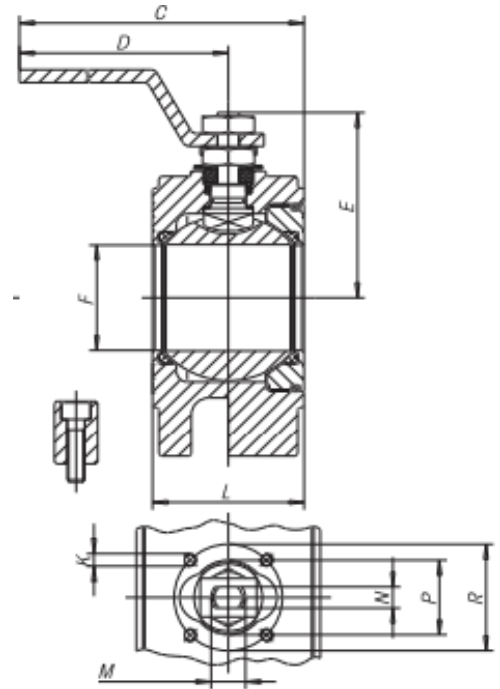
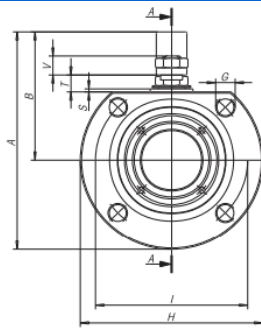
**ALLVALVES**  
O N L I N E

**AVOL**  
INDUSTRIAL VALVES

AVOL valves are our range of industrial valves selected by our experienced technical sales team.

**SERIES: 30009**

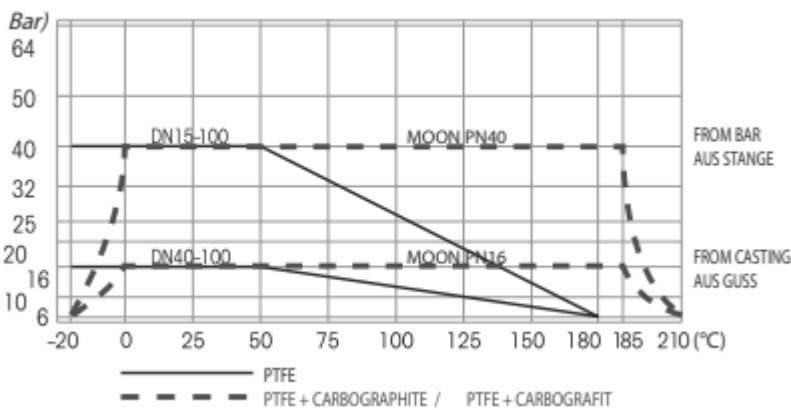
| Size  | A   | B     | C   | D   | E     | F  |
|-------|-----|-------|-----|-----|-------|----|
| DN25  | 137 | 82    | 200 | 180 | 62.5  | 25 |
| DN32  | 150 | 85    | 205 | 180 | 67    | 32 |
| DN40  | 172 | 102   | 260 | 230 | 80    | 40 |
| DN50  | 185 | 110   | 265 | 230 | 87    | 50 |
| DN65  | 225 | 137.5 | 400 | 350 | 119.5 | 65 |
| DN80  | 245 | 150   | 410 | 350 | 129.5 | 78 |
| DN100 | 275 | 165   | 580 | 508 | 148.5 | 96 |



| Size  | G   | H   | K   | I   | L<br>PNI6/40 | L ND<br>PNI6/40 | ISO | Kg    | Kv   |
|-------|-----|-----|-----|-----|--------------|-----------------|-----|-------|------|
| DN25  | M12 | 110 | M5  | 85  | 43           | 43              | F04 | 2.505 | 100  |
| DN32  | M16 | 130 | M5  | 100 | 54           | 54              | F04 | 3.995 | 130  |
| DN40  | M16 | 150 | M6  | 110 | 60           | 66              | F05 | 4.190 | 170  |
| DN50  | M16 | 165 | M6  | 125 | 70           | 83              | F05 | 5.79  | 280  |
| DN65  | M16 | 185 | M8  | 145 | 95           | 103             | F07 | 10.2  | 510  |
| DN80  | M16 | 200 | M8  | 160 | 122          | 122             | F07 | 13.7  | 770  |
| DN100 | M16 | 220 | M10 | 180 | 140          | 153             | F10 | 20    | 1200 |

VALVE DIMENSIONS

## Pressure/ Temperature Chart



## ALL VALVES ONLINE

Offering a full range of actuated valve packages, manual valve range, pipe fittings and pumps, we have a product for all your requirements. As an ISO 9001-2015 Quality Approved and certified company, All Valves offer a quality service from pre-sale to post sale. Shipping millions of pounds in value of manual valve and actuated valve packages all over the world since its formation, All Valves are a trusted valve and actuator supplier to many companies all over the world. Working with the leading brands in most industries.



**T** +44 (0)1386 552369

**W** [www.allvalves.co.uk](http://www.allvalves.co.uk)

**E** [sales@allvalves.co.uk](mailto:sales@allvalves.co.uk)

**F** +44 (0)1386 554227